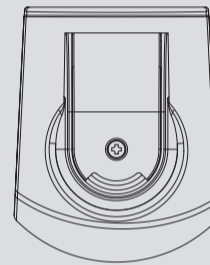
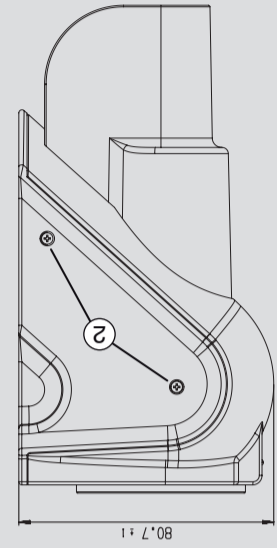
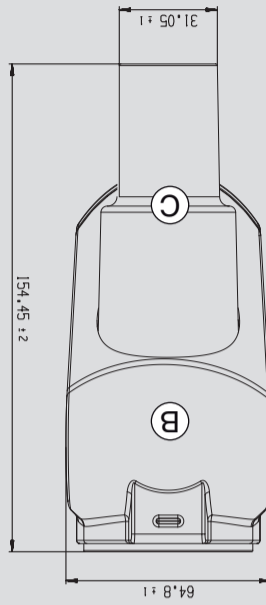
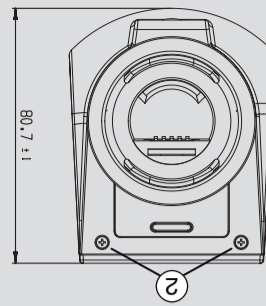
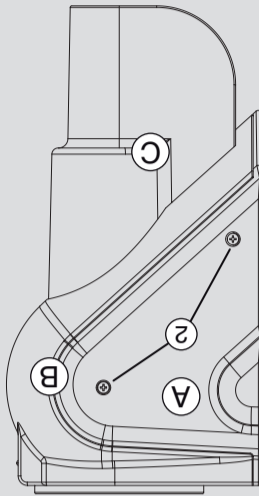
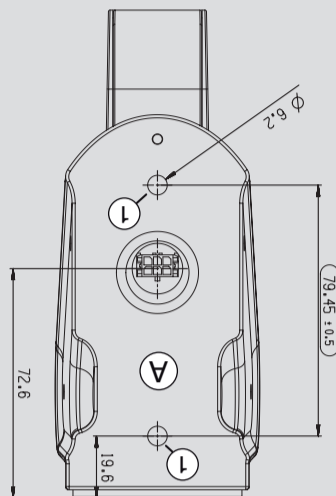
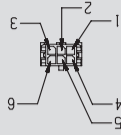


6	n.c.	
5	n.c.	
4	IGN	20
3	n.c.	
2	GND	20
1	Power	20
P!n	Signal	AMG



Robert Bosch Car Multimedia GmbH
 Robert-Bosch-Straße 200
 31139 Hildesheim
 Germany
www.bosch-professional-systems.com

Coach ChargingStation W

7 620 270 012



- de Einbauanleitung
- en Installation instructions
- fr Instructions de montage
- es Instrucciones de montaje

DE

Beschreibung

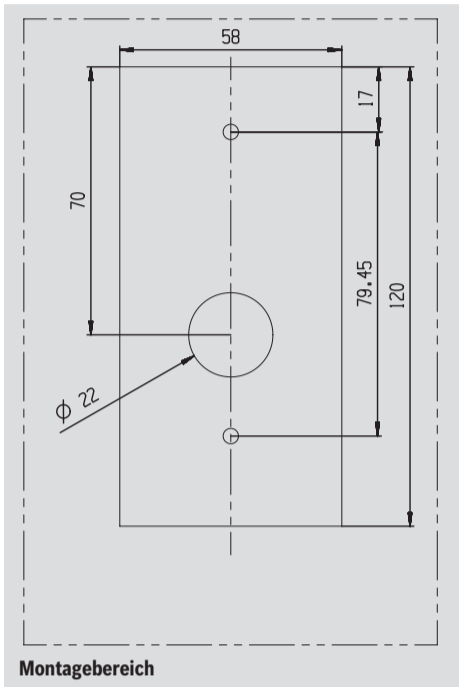
Die Coach ChargingStation W ist eine Ladestation für das Handmikrofon des Coach WirelessMicrophone System. Sie ist für die Wandmontage in Reisebussen mit 12 V- bzw. 24 V-Bordnetz bestimmt.

Lieferumfang

- ▶ Ladestation (2teilig, vormontiert)
- ▶ Grundplatte
- ▶ 6 Schrauben (für die Befestigung der Ladestation auf der Grundplatte)
- ▶ Anschlusskabel (Vorbereitung)

Einbauhinweise

- ▶ Die Montage erfordert einen ausreichend großen Wandbereich (siehe Zeichnung "Montagebereich").



Für die Einhaltung der gesetzlichen Bestimmungen ist der Fahrzeughersteller verantwortlich.

- ▶ Beachten Sie, dass am Montageort eine Bohrung bzw. Öffnung zur Durchführung der Verkabelung benötigt wird (siehe Zeichnung "Montagebereich").

EN

Description

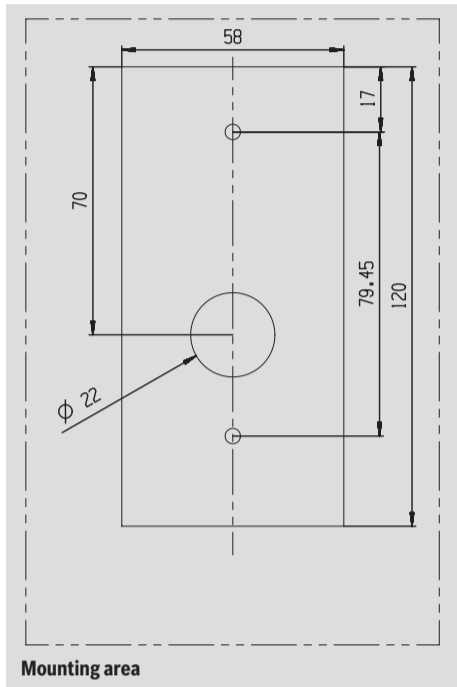
The Coach ChargingStation W is a charging station for the hand microphone of the Coach WirelessMicrophone System. It is intended for wall-mounting in coaches with 12 V or 24 V on-board power supplies.

Scope of delivery

- ▶ Charging station (2-part, ready-assembled)
- ▶ Base plate
- ▶ 6 screws (for fastening the charging station to the base plate)
- ▶ Connecting cable (preparation)

Installation notes

- ▶ A sufficiently large area of wall is needed for installation (see the "Mounting area" drawing).



The vehicle manufacturer is responsible for compliance with legal requirements.

- ▶ Note that a hole for the wiring to pass through is needed at the mounting location (see the "Mounting area" drawing).

FR

Description

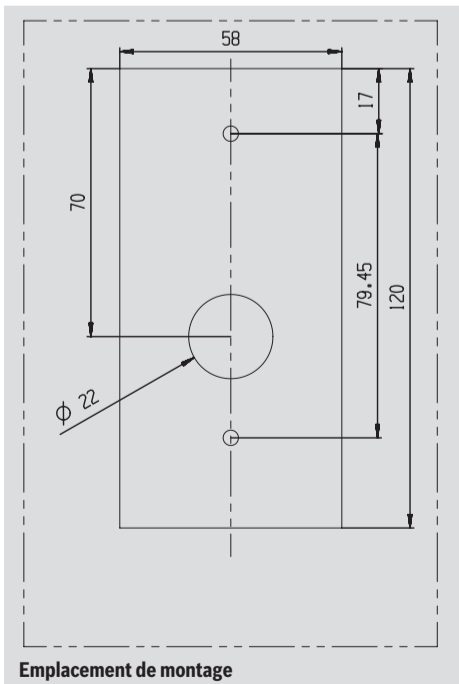
Le Coach ChargingStation W est un chargeur pour le microphone manuel du Coach WirelessMicrophone System. Il est conçu pour un montage mural à bord des autobus équipés d'un réseau de bord de 12 ou 24 V.

Matériel inclus

- ▶ Chargeur (2 pièces, prémonté)
- ▶ Plaque de base
- ▶ 6 vis (pour la fixation du chargeur à la plaque de base)
- ▶ Câble de branchement (kit de préparation)

Consignes de montage

- ▶ Veillez à disposer de suffisamment de place sur la cloison pour le montage (voir le dessin "Emplacement de montage").



Le fabricant du véhicule est tenu de respecter les dispositions légales.

- ▶ Attention : il est nécessaire de percer un trou pour le passage des câbles à l'emplacement de montage (voir le dessin "Emplacement de montage").

ES

Descripción

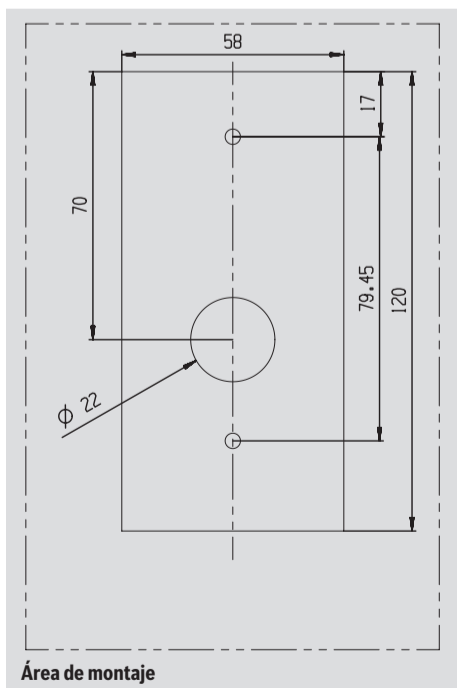
La Coach ChargingStation W es un cargador para el micrófono manual del Coach WirelessMicrophone System. El lugar de montaje previsto para ella es la pared en autobuses con red de a bordo de 12 V o 24 V.

Volumen de suministro

- ▶ Cargador (2 partes, premontadas)
- ▶ Placa base
- ▶ 6 tornillos (para fijar el cargador a la placa base)
- ▶ Cable de conexión (preparación)

Instrucciones para la instalación

- ▶ El montaje exige una área en la pared de suficiente tamaño (ver la Fig. "Área de montaje").



El fabricante del vehículo es el responsable de que se cumplan las disposiciones legales.

- ▶ Tenga en cuenta que en el lugar de montaje hay que taladrar o abrir un hueco para pasar los cables (ver la Fig. "Área de montaje").

- ▶ Install the charging station and its cabling in such a way that, even when the hand microphone is inserted, the driver's ability to see or to reach the vehicle's operating elements is not impaired, and so that no obstacle or danger is presented to other members of the crew or passengers.
- ▶ Note that the charging station has a discharge outlet so that any liquids that get in can drain away downwards. Any devices or equipment underneath the place where the charging station is mounted must either not be sensitive to liquids, or must be adequately protected against them.
- ▶ After installation, the connecting cables must be fixed in such a way that no forces can act on the connectors.
- ▶ Do not install the charging station close to sources of heat.

Assembly

- ▶ Fasten the base plate (A) to the wall using suitable screws in the two holes (1).

Note:

Make sure that there is a hole or opening for the wiring to pass through at a suitable location (see the section on "Mounting instructions").

- ▶ Place the charging station (B and C) into the base plate (A), and fasten it with the supplied screws (2).

Note:

You may need to attach the connecting cable to the charging station and pass the connecting cable through the whole or opening provided for it before mounting the charging station on the base plate using the 4 included screws.